

Spare Parts List

LP-685E

1 : Front Diagram

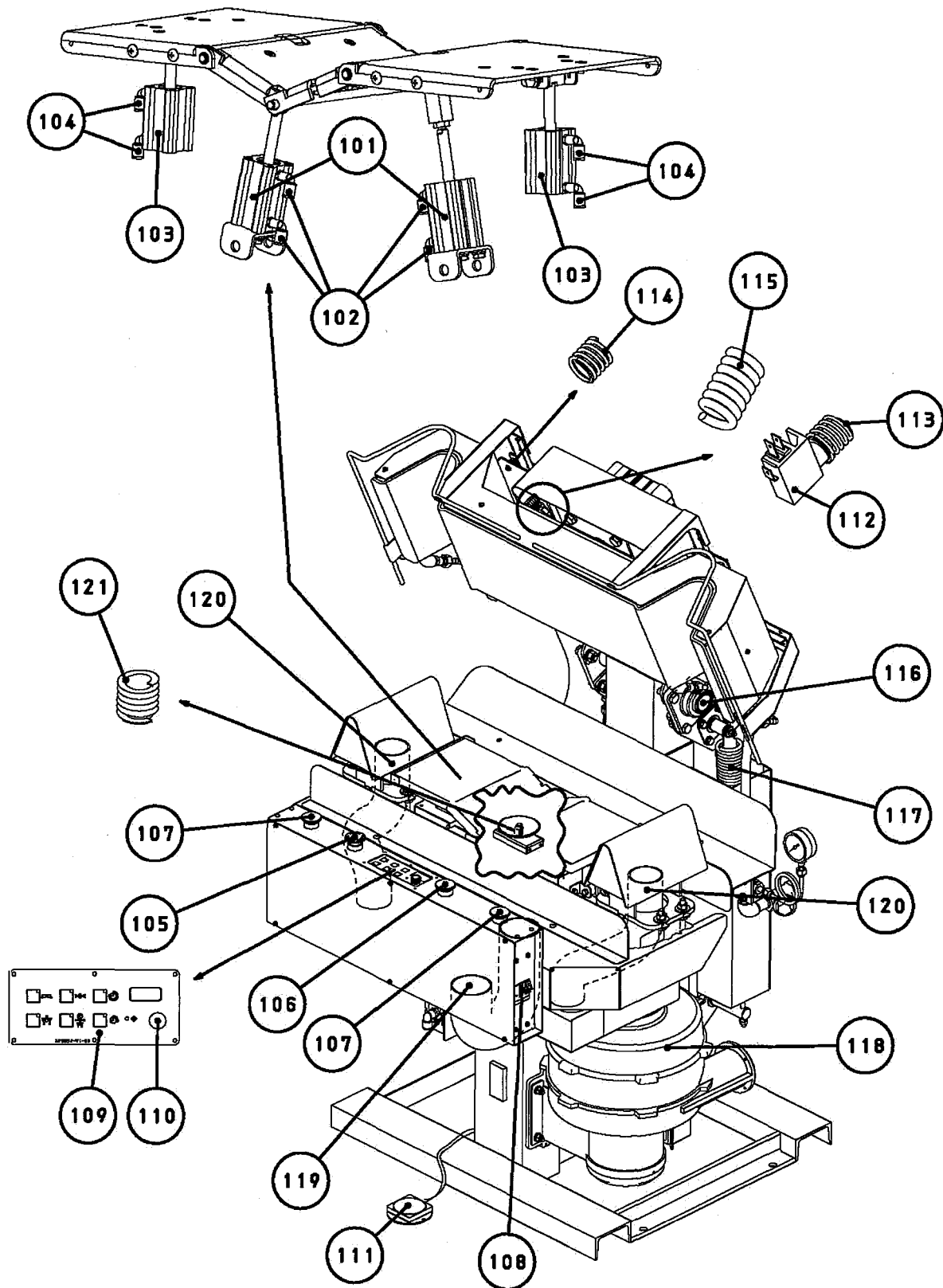
2 : Rear Diagram

3 : Steam Piping

4 : Cover Diagram

1 : Front Diagram

REV:1

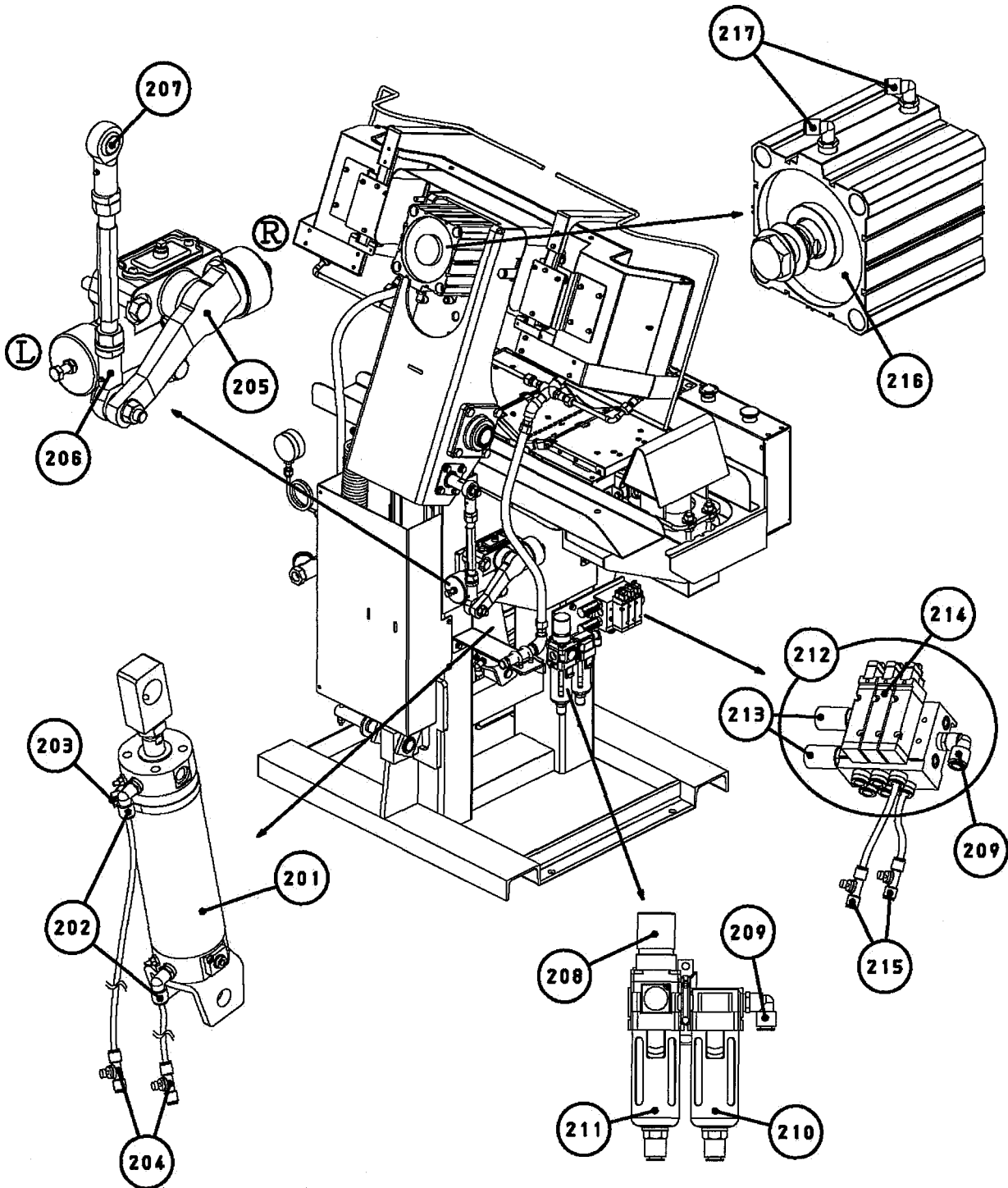


1 : Front Diagram**REV:1**

No.	Part Name	Part Number	Q'ty	Remarks
101	Cylinder	B2J047	2	Collar Lower Press (Inside)
102	Joint	C0B010	4	Collar Lower Press (Inside)
103	Cylinder	B2J048	2	Collar Lower Press(Outside)
104	Joint	C0C053	4	Collar Lower Press(Outside)
105	Push Button Switch	21I107	1	EMG SW(Red)
106	Push Button Switch	21I111	1	Reset(Blue)
	Push Button Cap	21I044	1	
107	Push Button Switch	21I110	2	Right/Left Start(Green)
	Push Button Cap	21I042	2	
108	Breaker	21C004	1	
109	Panel Sheet	20U075	1	
110	Volume	21D006	1	
111	Foot Pedal	20Z009	1	
112	Push Button Switch	21I085	2	Safety bar
113	Spring	H0D002	2	
114	Spring	H0D001	2	
115	Spring	H0D017	4	
116	Bearing Unit	E4A003	2	
117	Balance Spring Unit	BSP-UNT-011	1	
118	Blower Motor	G1A029	1	
119	Blower Duct Hose	K1C001	1	Length : 550mm
120	Blower Duct Hose	K1C004	2	Length : 430mm
121	Coil Spring	H0E069	1	

2 : Rear Diagram

REV:1

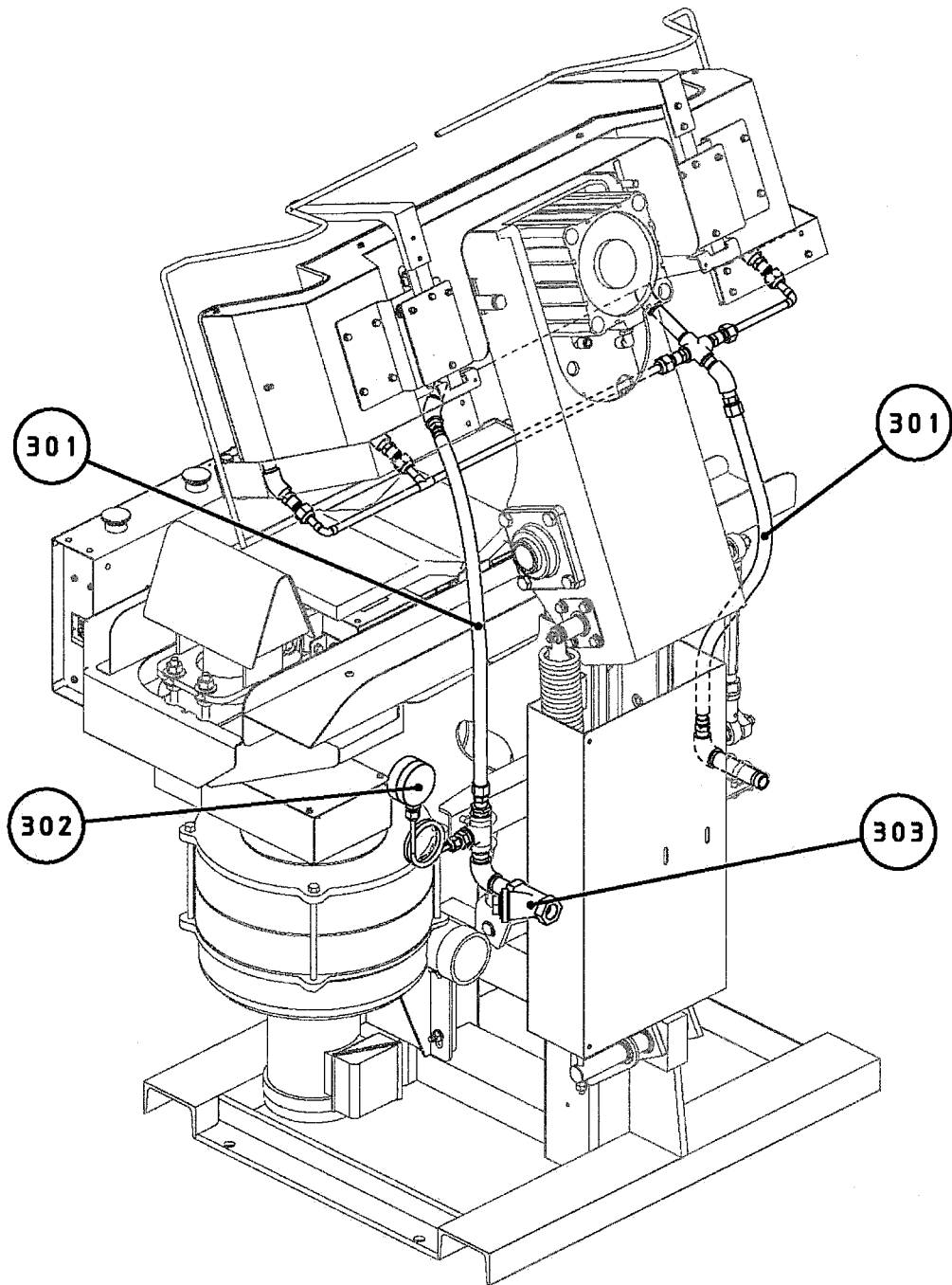


2 : Rear Diagram**REV:1**

No.	Part Name	Part Number	Q'ty	Remarks
201	Cylinder	B0W023	1	Upper Press Arm
	Cylinder Packing Set	B6H044	1	
202	Joint	C0C022	2	
203	Cylinder Sensor	B5A013	2	
	Sensor Band	B5B006	2	
204	Speed Controller	C1A050	2	
205	Oil Dumper	OIL-LP-005	1	L=No,45 R=No,45
206	Rodend	E5A011	1	
207	Rodend	E5A012	1	
208	Combination	D0F001	1	
209	Joint	C0C025	2	
210	Element Assembly	D1G002	1	
	Case Assembly	D1J002	1	
211	Filter Element	D1F002	1	
	Diaphragm Assembly	D1H004	1	
	Case Assembly	D1J002	1	
212	Manifold valve	A0F128	1	
213	Silencer	C0A006	2	
214	Solenoid Valve	A0E016	3	
	Gasket	A0J018	3	
	Joint	A0J029	4	
	Joint	C0G001	2	
215	Speed Controller	C1A008	2	
216	Cylinder	B1H005	1	Upper Press
	Cylinder Packing Set	B6H022	1	
217	Joint	C0C023	2	

3 : Steam Piping

REV:1

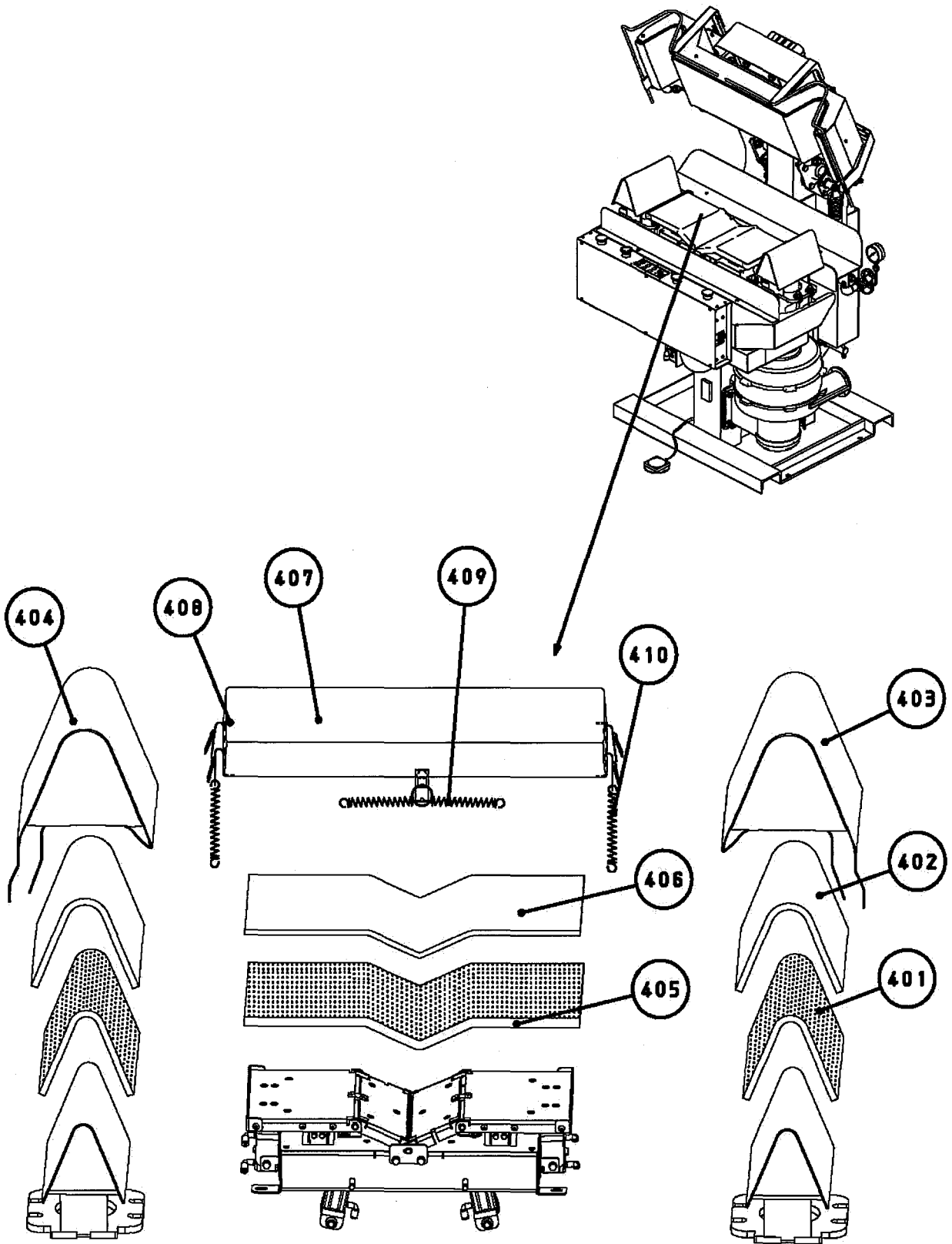


3 : Steam Piping**REV:1**

No.	Part Name	Part Number	Q'ty	Remarks
301	Flexible Hose	A6B017	2	
302	Pressure Gauge	J0A003	1	
303	Y Type Strainer	J2M009	1	

4 : Cover Diagram

REV:1



4 : Cover Diagram**REV:1**

No.	Part Name	Part Number	Q'ty	Remarks
401	Cuff Silicon Sponge30	S1C119	2	
402	Cuff Spring Felt Pad 10mm	S1C118	2	
403	Cuff Cover (Right)	S1C116	1	
404	Cuff Cover (Left)	S1C117	1	
405	Collar Spring Felt Pad 10mm	S1C114	1	
406	Collar Silicon Sponge30	S1C115	1	
407	Collar Cover	S1C113	1	
408	Collar Cover Extension Rod (Long)	LP685J-V1-308-1	2	
409	Cover Spring Unit	CPS-UNT-006	2	
410	Cover Spring Unit	CPS-UNT-005	4	